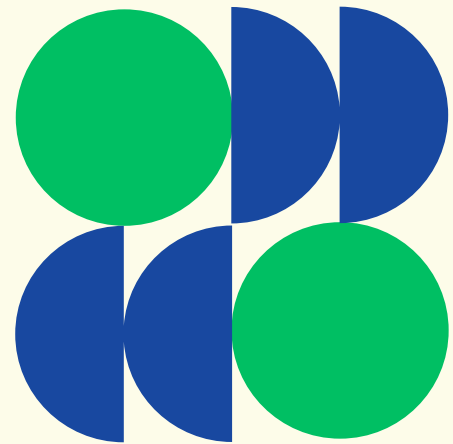


TYPE-2 IEC-62196-2 AC
CHARGING CABLE

Product Catalog



JT MOBILITY PRIVATE LIMITED

 +91-8693099309 / 9699789777

 support@jt-mobility.com

 www.jt-mobility.com



Type-2 AC Charging Cable

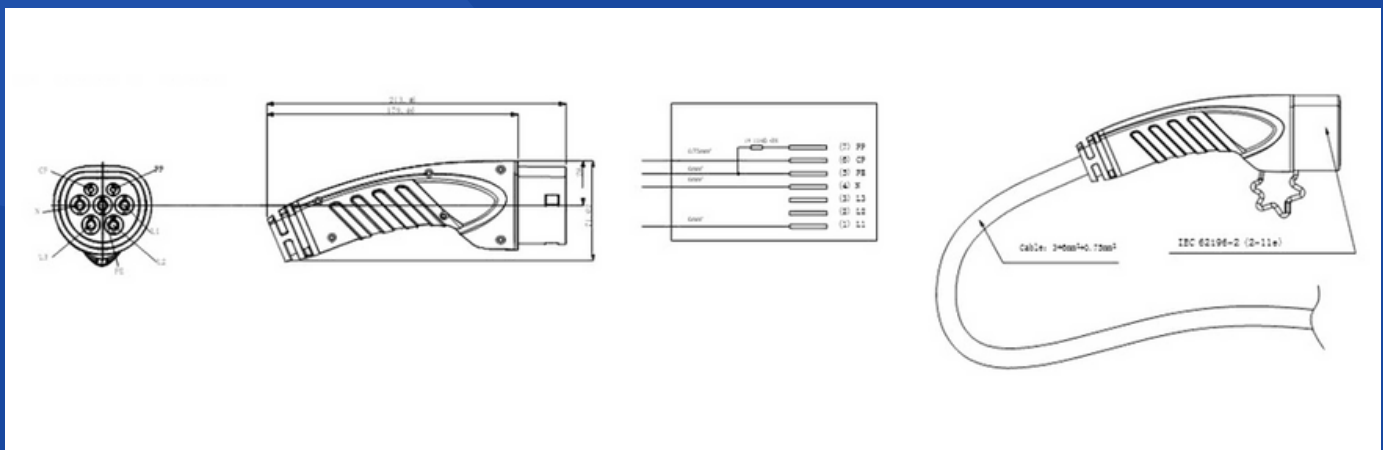
IEC 62196-2 Charging Gun with Cable

JT Mobility Three Phase / Single Phase 16A/32A Type 2 tethered charging cable is designed for charging in mode 3, it is suitable for connection and charging from all private and public AC charging stations. Type-2 AC charging cable comprise of vehicle charging connector and open cable end wire, for charging electric vehicles (EV) with alternating current (AC), The connector has an ergonomic shape, which ensures easy and comfortable handling and connection. When the cable is connected, it is protected against the ingress of particles and water. The protective cover has a degree of protection IP55 and protects against ingress of dust. This open-end cable replacement is to be integrated to the charging station. You can charge your EV that has Type 2 port. The product has a nice appearance, a hand-held ergonomic design and is easy to plug.



Key Features

- Plug in/pull out >10000 times
- It is suitable for Type 2 vehicle inlets and connects charging stations.
- Meet IEC 62196-2 standard.
- Plug Material: Thermoplastic UL94 V-0, Cable Material : TPU/TPE
- Rated with IP55 (working condition).
- Pin Material: Copper Alloy & Silver Plating
- Nice appearance, hand-held ergonomic design, easy plug
- Cable Length 5 Meter



Specifications



	JTCCM3T23PIA05-2	JTCCM3T21PIA05-2	JTCCM3T23PIA05-1	JTCCM3T21PIA05-1
Plug Type	Type-2 Female	Type-2 Female	Type-2 Female	Type-2 Female
Used at	Vehicle Side	Vehicle Side	Vehicle Side	Vehicle Side
Standard	IEC 62196-2	IEC 62196-2	IEC 62196-2	IEC 62196-2
Contact Resistance	0.5m ohm Max	0.5m ohm Max	0.5m ohm Max	0.5m ohm Max
Impact Insertion Force	>300N	>300N	>300N	>300N
Insulation Resistance	>1000Mohm (DC500V)	>1000Mohm (DC500V)	>1000Mohm (DC500V)	>1000Mohm (DC500V)
No of Phase	Three	Single	Three	Single
Nominal Conductor Size (Sq. mm)	5 Core x 6 Sq. mm 2 Core x 0.5 Sq. mm	3 Core x 6 Sq. mm 1 Core x 0.5 Sq. mm	5 Core x 2.5 Sq. mm 2 Core x 0.5 Sq. mm	3 Core x 2.5 Sq. mm 1 Core x 0.5 Sq. mm
Open End Thread	Charging Station	Charging Station	Charging Station	Charging Station
Operating Temperature	-30C to +65C	-30C to +65C	-30C to +65C	-30C to +65C
Operation Voltage	480V	100-250V	480V	100-250V
Overall Wrapping	Non-Woven Fabric, 25 % Overlap Min.	Non-Woven Fabric, 25 % Overlap Min.	Non-Woven Fabric, 25 % Overlap Min.	Non-Woven Fabric, 25 % Overlap Min.
Protection Degree	IP55 (Working Condition)	IP55 (Working Condition)	IP55 (Working Condition)	IP55 (Working Condition)
Rated Current	32A	32A	16A	16A
Sealing gasket	Rubber or silicon rubber	Rubber or silicon rubber	Rubber or silicon rubber	Rubber or silicon rubber
Shell material	Thermoplastic	Thermoplastic	Thermoplastic	Thermoplastic
Temperature Resistance	<50K	<50K	<50K	<50K
Mating Cycles	>10000	>10000	>10000	>10000
Contact Pin	Copper Alloy, Silver Plating	Copper Alloy, Silver Plating	Copper Alloy, Silver Plating	Copper Alloy, Silver Plating
Sealing gasket	Rubber or silicon rubber	Rubber or silicon rubber	Rubber or silicon rubber	Rubber or silicon rubber
Flame Retardant Grade	UL94 V-0	UL94 V-0	UL94 V-0	UL94 V-0
Outer Sheathing	20.0 ± 0.50 mm	15.0 ± 0.50 mm	15.0 ± 0.50 mm	10.0 ± 0.50 mm
Cable Length	5 Meter	5 Meter	5 Meter	5 Meter

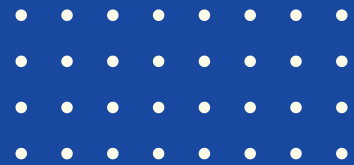
Company Profile

JT Mobility Pvt. Ltd. is a Mumbai, India based manufacturer, associated with Jayani Technologies LLP established in 2011. We are focusing on the design, production, after sale service and marketing of electric vehicle charging components and onboard charging system, we are specialized in various Electric vehicle portable chargers, sockets, charging cables, plug & connectors to national and international standards.

JT Mobility is an ISO 9001:2015 certified company, Our Strong R&D team and unmatched integration team enable us to be fast, flexible, and efficient when providing different solutions to our customers. JT Mobility is highly recognized and trusted by customers for its innovative technology, excellent manufacturing capability and perfect service system. Our vision is to transform EV Industry with the leading technology and to provide cost effective products & solution to EV user, vehicle manufacturer, EVSE, Automobile Dealers and EV Infra provider at competitive prices.



Why Us!



Our Team

JT Mobility is founded and managed by well experienced senior executives from the Industry, with rich and extensive experience in the leading organizations. Keeping in mind the new & changing technology and demands of the industry, we have employed highly skilled team of professionals.

Our Commitment

JT Mobility is committed to becoming a world-class provider of cable solutions for new energy vehicles, and a leader in the EV charging cable products & solution.

Our Vision

To create versatile cutting-edge solutions for all automotive industries

Our Mission

To provide ingenious, virtuous, and energy-efficient solutions.

Our Values

Respect, professionalism, and determination are the values that are the foundation of our culture

Support

Help-Desk (24x6)

Our help desk center is the most extensive information resource in the world. With just a phone call or an e-mail, you can be in touch with a team of trained information specialists and technical experts that are ready to answer your questions and provide you with the information you need. They have an array of resources at their fingertips including product brochures, samples, product specification sheets, case histories, application notes, white papers, technical article, training materials and much more. E-mail at support@jt-mobility.com for any kind of support.

Warranty

1 Year Standard warranty on all the products. We provide free lifetime technical support for all our products. Warranties provided are specific to each product. Warranty period, starting from the date of original purchase. If no proof of purchase (receipt or invoice of purchase) can be presented upon request.

Private Labeling

We provide private labeling product with your company branding. so you can sell products under own brand name. Changes can include things like packaging or product bundles, colors and branding, and some limited adjustments to components or functionality. Minimum order quantity applicable for private labeling.

Global Shipping

We offer global shipping worldwide to nearly every country across the globe, covering North and South America, Europe, Asia, Middle East, Africa, Oceania, and more. We employ the services of major, trusted international carriers to ensure your package arrives to your destination safely and securely.

Repair & Return

We have well defined Repair & Return procedure so we can easily create, organize, process and track your returned orders. Refer to terms and condition of warranty terms and condition for repair services.

Dealer / Distributor

Our Distributor Program is designed to help system integrator, value added re-sellers (VARs), contractors, and installers create demonstrable business value while driving new business and increasing profitability. We provide the tools, marketing and business environment to build a profitable and scalable Practice.

Quality and Certification

JT Mobility Pvt. Ltd. is an ISO 9001:2015 certified company, committed to providing its customers with cost effective reliable products and solutions that keeps them step forward from their competitors and puts them one step closer to future. We provide consistent quality and environmentally friendly products. It is essential for all levels of the organization to strive for excellence and continual improvement in quality, maintaining our competitive edge.



Contact Us

JT MOBILITY PVT. LTD.

23, 3rd Floor, Gami Industrial Park, TTC MIDC Pawne, Navi-Mumbai, Dist. Thane, Maharashtra, India 400705

Head Office

B-409, Lodha I-Think, Opp. Xperia Mall, Kalyan-Shil Road, Dombivali (E), Dist. Thane, Maharashtra, India 421203

R & D

A-106, Shraddha Silver Springs, BEML Lauout Main Road, Brookfield, Bengaluru, India 560066

Delhi

Oriental Market, IP Extension, Patparganj, New-Delhi, India 110092

Jaipur

G-1, Sunshine Krishna, Near Triveni Nagar Flyover, Gopalpura By-Pass, Jaipur, Rajasthan 302018

Indore

Mahalaxmi Nagar, Near Bombay Hospital, AB Road, Indore, Madhya Pradesh, India 452010

Phone: +91-8693099309 ; E-Mail : support@jt-mobility.com

WWW.JT-MOBILITY.COM

Follow Us

